

9T11A

PROGRAM TO READ DIAGNOSTICS FROM DIAGNOSTIC TAPE

A. PURPOSE OF PROGRAM

THIS PROGRAM WILL READ AND SEARCH FOR A DIAGNOSTIC FILE WHEN USING THE DIAGNOSTIC TAPE .

B. METHOD OF PROGRAM

1. THIS PROGRAM WAS WRITTEN ON TAPE FOLLOWING 9M06A AND 9S01A IN EXAMPLE OF SUGGESTED DIAGNOSTIC TAPE.-9T10A. THE 3 PROGRAMS WERE WRITTEN AS ONE FILE.
2. THE BASIC TEST EXECUTE INITIALLY AND THEN A HALT OCCURS AT LOCATION 0036 IN 9T11A. THE FILE KEY DESIGNATING FILE ON TAPE IS DEPRESSED. PRESS START. WHEN FILE IS FOUND A REWIND OCCURS. WHEN THE LOCATED DIAGNOSTIC IS COMPLETE, THE ABOVE OPERATIONS ARE REPEATED TO CALL IN NEXT DIAGNOSTICS.

SEE OPERATIONAL FUNCTIONS SECTION 1 OF THIS WRITE UP FOR COMPLETE INSTRUCTIONS PERTAINING TO THIS PROGRAM.

C. PROGRAM CONTROL

- | | | |
|---------|---------|------------------------|
| 1. DECK | 000 | 9LD01 WITH TAPE SELECT |
| | 001-002 | 9T11 PROGRAM |
| | 003 | TRANSFER CARD TRA 30 |
| | 004-005 | 2 BLANK CARDS |

2. NO SENSE SWITCHES USED

D. NORMAL STOPS

00036 - HALT TO ENTER KEY, DESIGNATED FILE TO BE SEARCHED FOR. PUT SWT 6
DN TO LOOP IN LOCATED DIAGNOSTIC. PRESS START.

E. ERROR STOPS

00034 - DID NOT READ OVER TAPE MARK FOLLOWING 9T11A. PRESS START TRY AGAIN.

00053 - EOF NOT INDICATED WHEN SKIPPING OVER FILES NOT SELECTED. PRESS
START TO TRY AGAIN.

F. COMMENTS

1. WHEN EXECUTING THE BASIC STORAGE TEST 9S01A AND IT IS DESIRED TO BY-
PASS STORAGE TEST, RESET AN PRESS LOAD TAPE BUTTON. DO THIS IN BOTH
HIGH AND LOW TEST.

2. WHEN TESTING A TAPE TEST SUCH AS 9T01A ETC. AND YOU ARE READY TO
LOCATE ANOTHER TEST. FOLLOW THESE INSTRUCTIONS.

1. RESET MCHINE PUT SWT 6 UP.

2. LOAD TAPE BUTTON

THE REASON FOR THIS IS THAT TAPE PROGRAMS HAVE 9IOM IN THEIR DECKS.
CONSEQUENTLY THE SWT 6 RTBA 1 SELECT WHEN UP MAY CHANGE TO
ANOTHER ADDRESS. THIS WOULD START THE TAPE TEST ALL OVER, ELIMINATING
THE USEFULNESS OF PUTTING SWT 6 UP TO SELECT DIAGNOSTIC TAPE.

IT IS ALSO SUGGESTED THAT THE TAPE TEST WRITE UPS BE READ TO INSURE
METHODS OF TESTING CHA TAPE 1. THIS IS THE DRIVE WHERE THE DIAGNOSTIC
TAPE IS IN READY.

ACTUALLY TO CHANGE THE DIAGNOSTIC TAPE DRIVE TO NO SELECT WOULD BE THE
EASIEST METHOD. DO THIS WHEN SELECTED TAPE TEST HAS BEEN LOCATED AND
THE DIAGNOSTIC TAPE IS REWINDING.

OPERATIONAL INSTRUCTIONS FOR USING 9T11A.

1. SET DIAGNOSTIC TAPE ONE CHANNEL A TAPE 1.

NOTE -- BE SURE FILE PROTECT RING IS REMOVED.

2. DEPRESS LOAD TAPE BUTTON.

3. THE BASIC TESTS ARE EXECUTE. 9M06, 9S01.

4. A HALT AT LOCATION 0036 IN 9T11A OCCURES. PUT CONSOLE KEY DOWN CORRESPONDING TO DESIGNATED FILE ON TAPE DESIRED.

AT THIS POINT LET US USE AN EXAMPLE. LOCATION 9B01A WHICH IS ON SUGGESTED FILE IN 9T10. THE INDEX REFERES 9B01A AS FILE KEY 11.

PUT CONSOLE KEY 11 DN. DEPRESS SWT 6 SO THAT LOCATED DIAGNOSTIC MAY LOCK IN TEST. PRESS START.

WHEN FILE HAS BEEN LOCATED AND IS IN MEMORY. THE DIAGNOSTIC TAPE WILL REWIND TO LOAD POINT. WHEN THE DIAGNOSTIC BEING TESTED IS NO LONGER NEEDED, PUT SWT 6 UP. THIS WILL SELECT DIAGNOSTIC TAPE. THE BASIC TEST WILL EXECUTE AND THE STOP IN 9T11A OCCURS AGAIN TO SELECT NEXT FILE.

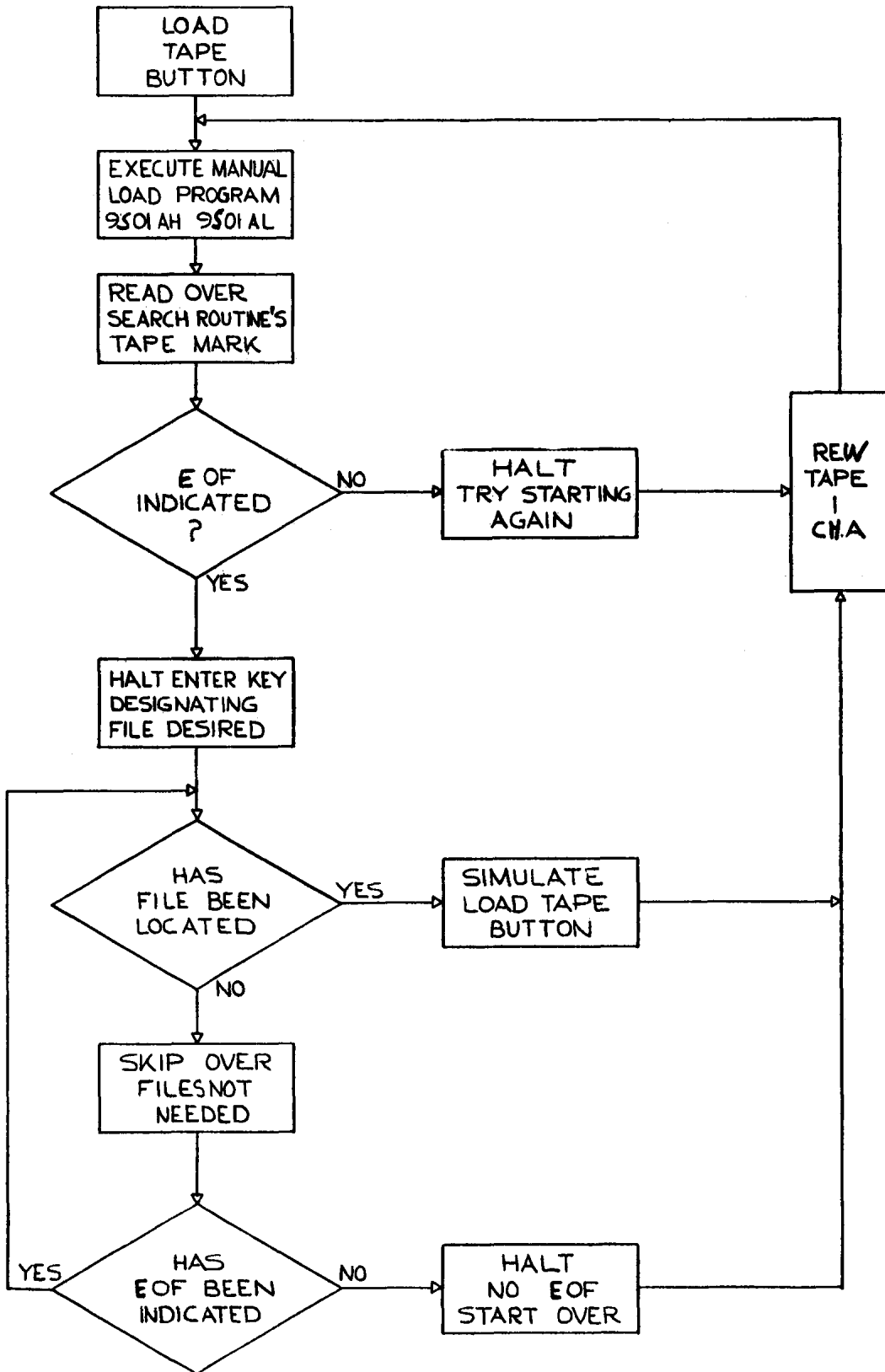
1. SEE COMMENT SECTION PERTAINING TO SWT 6 SETTING WHEN USING TAPE DIAGNOSTICS.

2. ONLY ONE FILE AT A TIME MAY BE SEARCHED FOR.

3. SEE SUGGESTED SEQUENTIAL FORMAT AS OUTLINED IN 9T10A WRITE UP.

FILE SEARCH ROUTINE

4



* F I L E S E A R C H R O U T I N E

*
*

```

                                00030          ORG 24
*
00030  0762 00 0 01221  START RTBA 1          READ SEARCH ROUTINE
00031  0540 00 0 00065          RCHA CW3       TAPE MARK
00032  0060 00 0 00032          TCOA *
00033  0030 00 0 00035          TEFA *+2
00034  0000 00 0 00053          HTR D          DID NOT READ TAPE MARK
00035  0420 00 0 00000          HPR           HALT TO ENTER KEYS
00036  0760 00 0 00004          ENK           DEPRESS KEY DESIGNATING
                                FILE DESIRED
00037  -0130 00 0 00000          XCL           EXCHANGE MQ TO ACC.

00040  0767 00 0 00001  A      ALS 1
00041  0602 00 0 00060          SLW T          SAVE ACC. FOR SAFETY
00042  -0760 00 0 00001          PBT           TEST FOR P BIT WHICH
                                INDICATES FILE FOUND
00043  0020 00 0 00045          TRA B          FILE SKIP
00044  0020 00 0 00054          TRA C          FILE FOUND

00045  0762 00 0 01221  B      RTBA 1       SKIP FILE
00046  0540 00 0 00061          RCHA CW1      DO NOT TRANSMIT TO STG.
00047  0060 00 0 00047          TCOA *

00050  -0500 00 0 00060          CAL T        BRING BACK FILE KEY
00051  0030 00 0 00040          TEFA A        EOF INDICATED
00052  0420 00 0 00000          HPR           NO EOF TRY FILE SEARCH
00053  0772 00 0 01201  D      REWA 1
                                AGAIN. PRESS START

00054  0762 00 0 01221  C      RTBA 1       SIMULATE LOAD BUTTON
00055  0540 00 0 00063          RCHA CW2
00056  0060 00 0 00056          TCOA *
00057  0020 00 0 00001          TRA 1

00060  +00000000000000000000  T      OCT 0
00061  -0777 77 2 00000  CW1    IOCP 0,2,-1
00062  1 00000 0 00061          TCH *-1
00063  -0000 03 0 00000  CW2    IOCP 0,0,3
00064  1 00000 0 00000          TCH 0
00065  0001 20 2 00000  CW3    IOCD 0,2,80

                                00030          END 24
```

EOF*